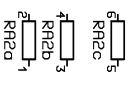
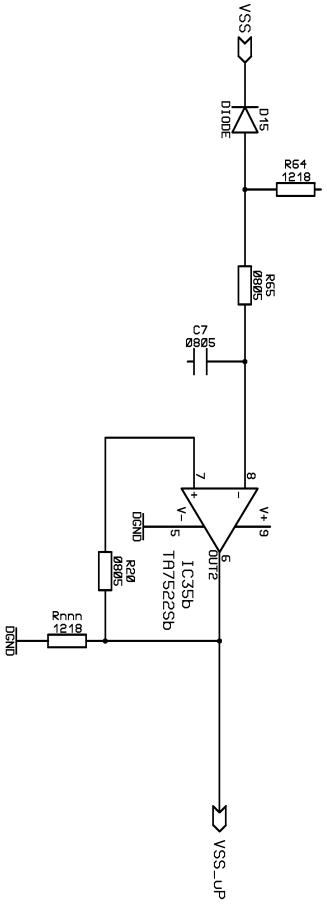
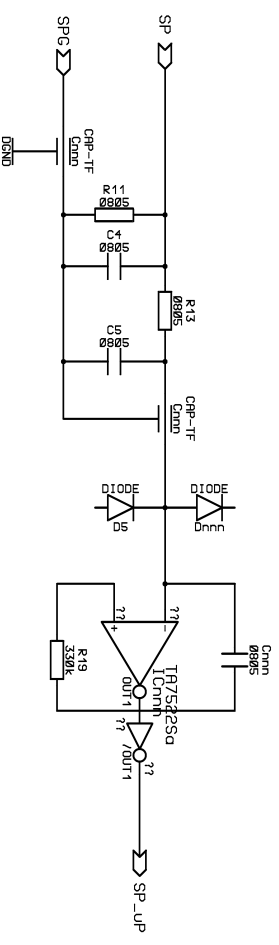
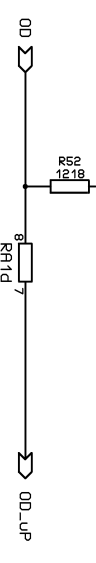
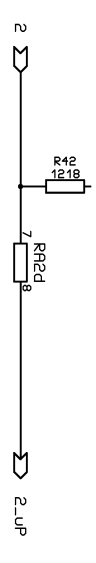
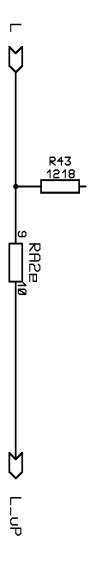
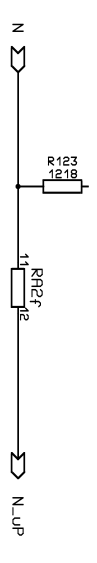
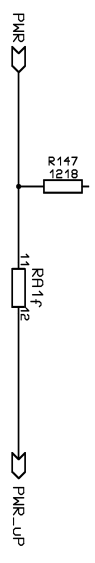
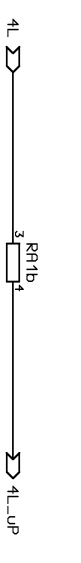
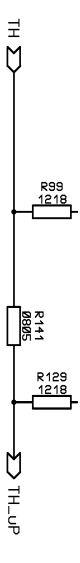
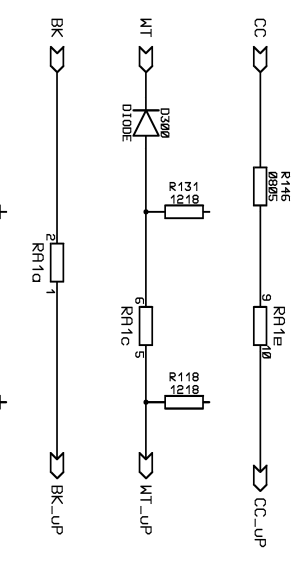
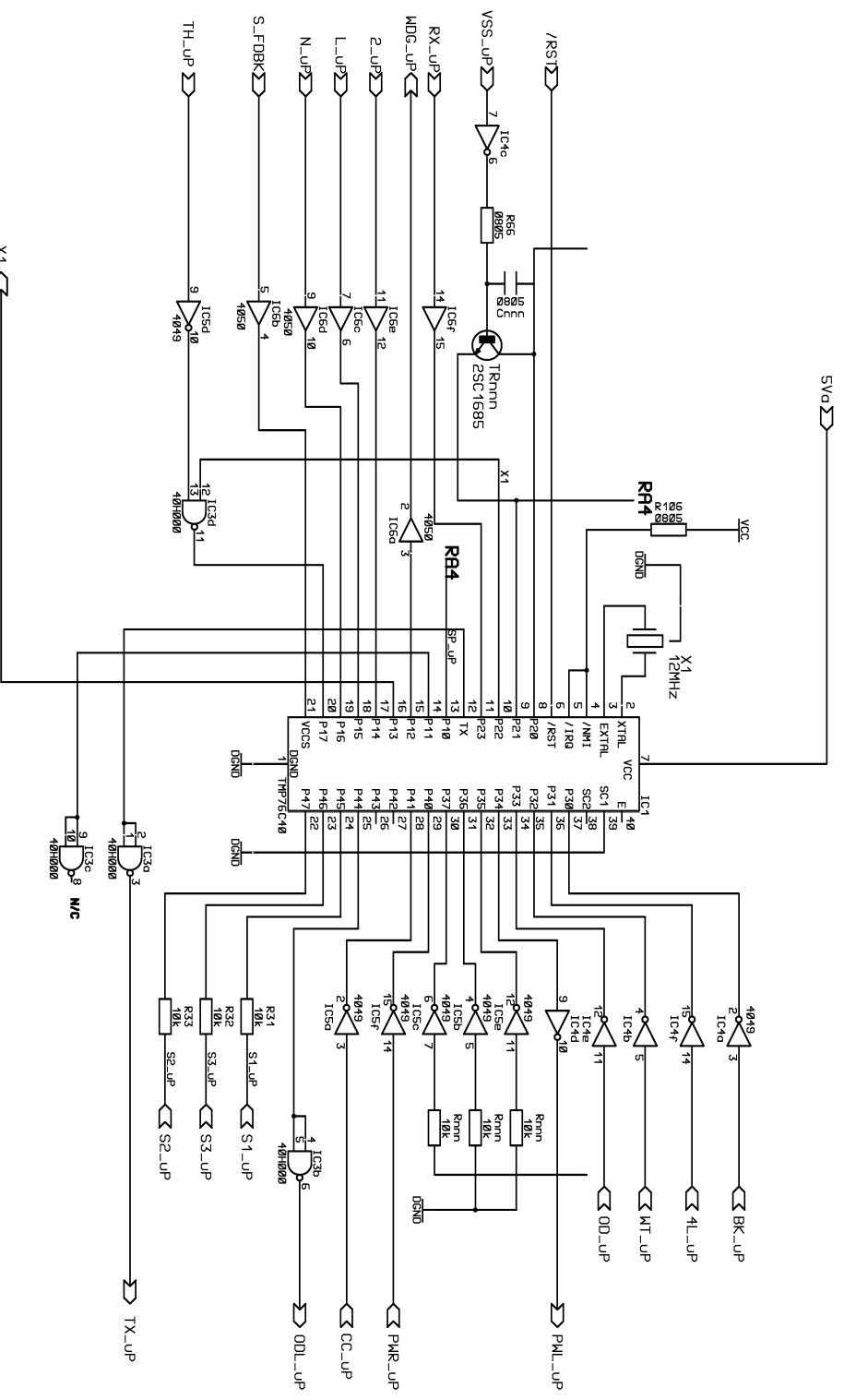




	1	2	3	4	5	6	7	8	9	10	11	12	13	14	15	16
A																
B																
C																
D																
E																
F																
G																
H																
I																
J																
K																



38890-57B40 TCM		Version
Digital Inputs		
Drawn By:	J Holland	Page 2 of 4
Date:	22nd February 2010	



IC1 pins 26, 27 may be config pins  
Some tracks are routed via n/c pins

38880-57840 TCM		Version
Processing		
Drawn By:	J Holland	Page 3 of 4
Date:	22nd February 2010	

