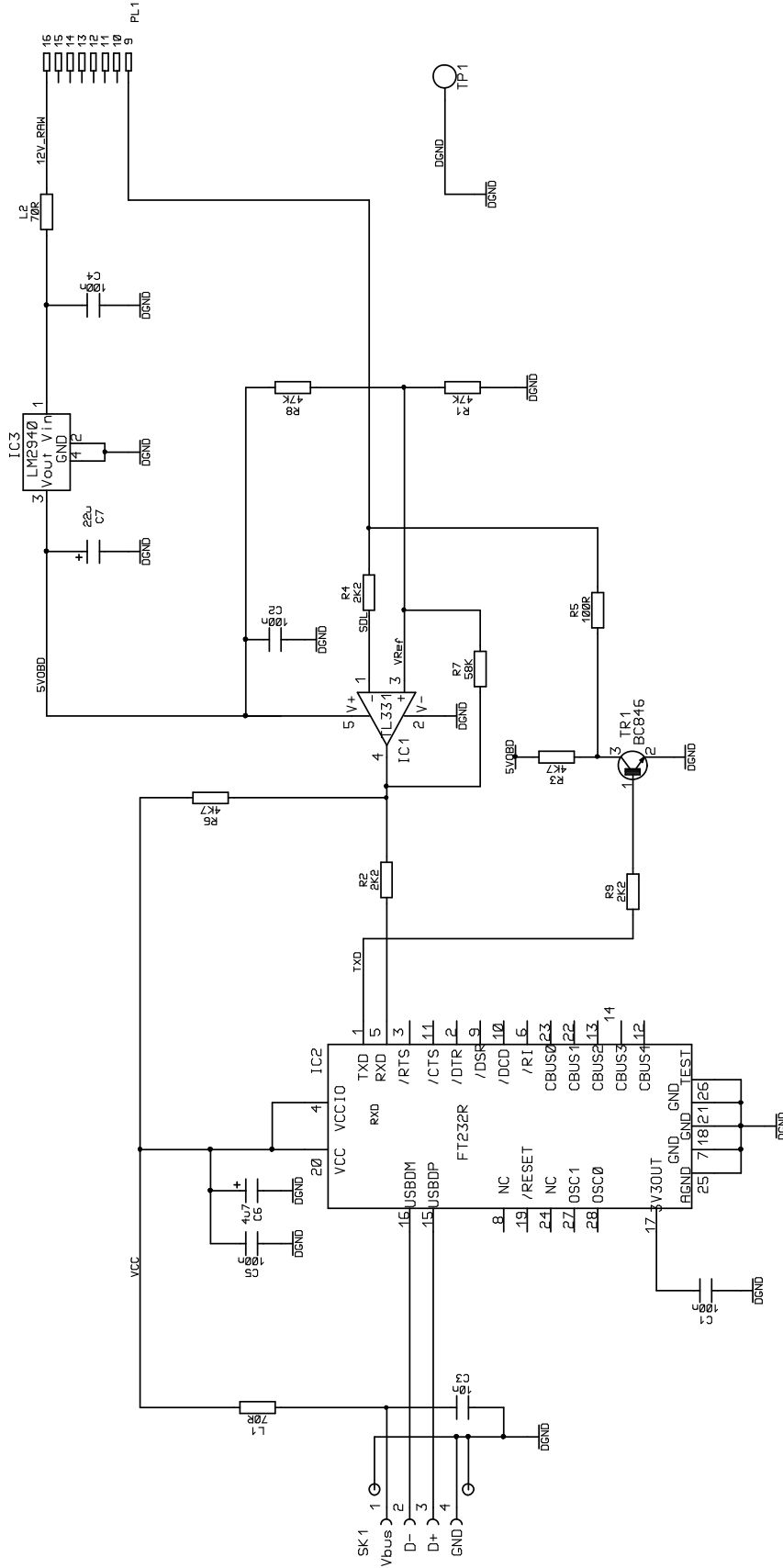


Copyright Rhinopower Ltd 2010
 This circuit can be reproduced for non-commercial use only



- Notes:**
1. RXD, TXD must be set to inverting.
 2. R3 is fitted for test only
 3. Connect TP5 to PL1 pin 5.

Rhinopower Ltd		Version
SDL/ALDL Diagnostic Interface Top Level Schematic		1
Drawn By:	J Holland	Page 1 of 1
Date:	5th September 2010	