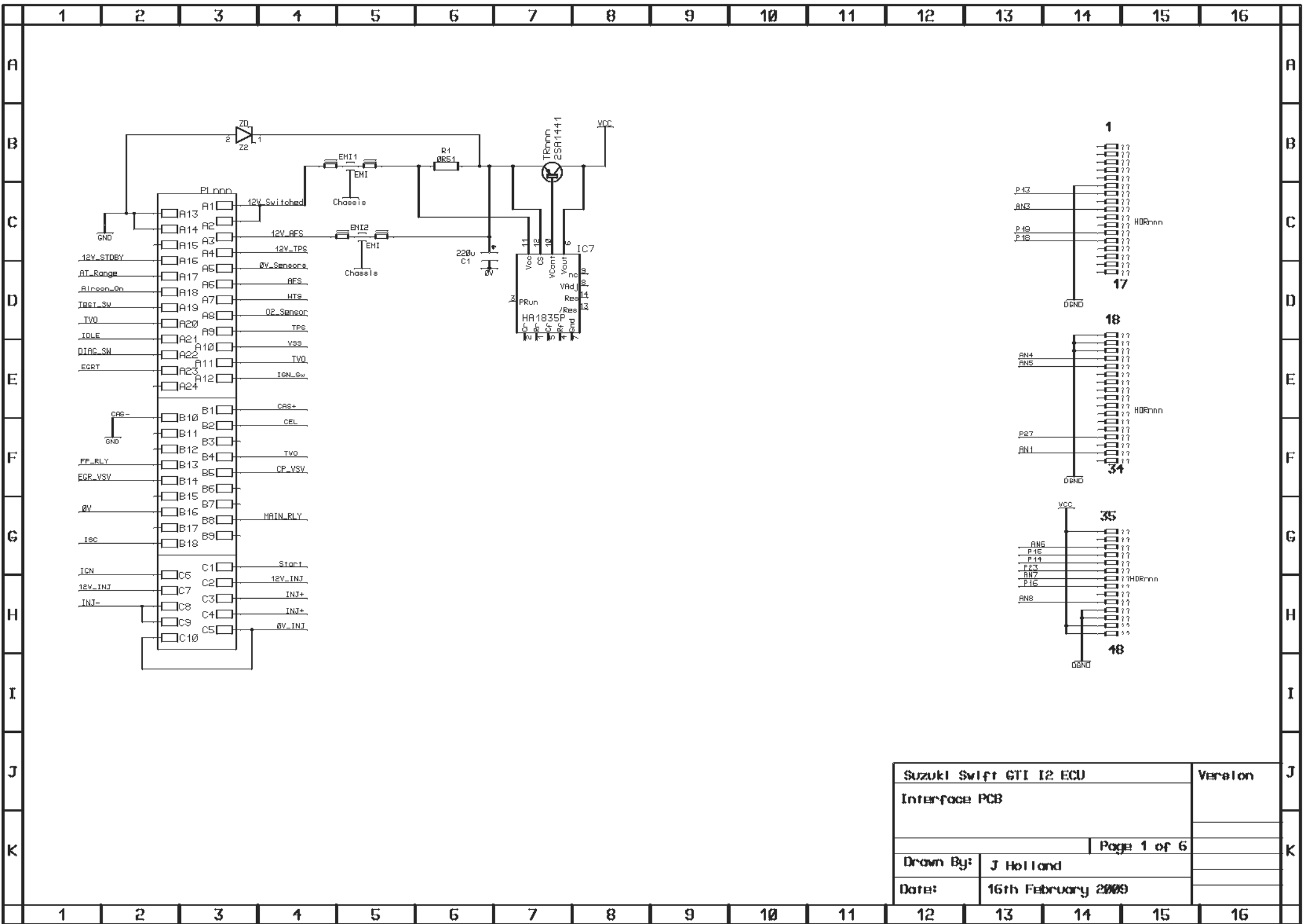
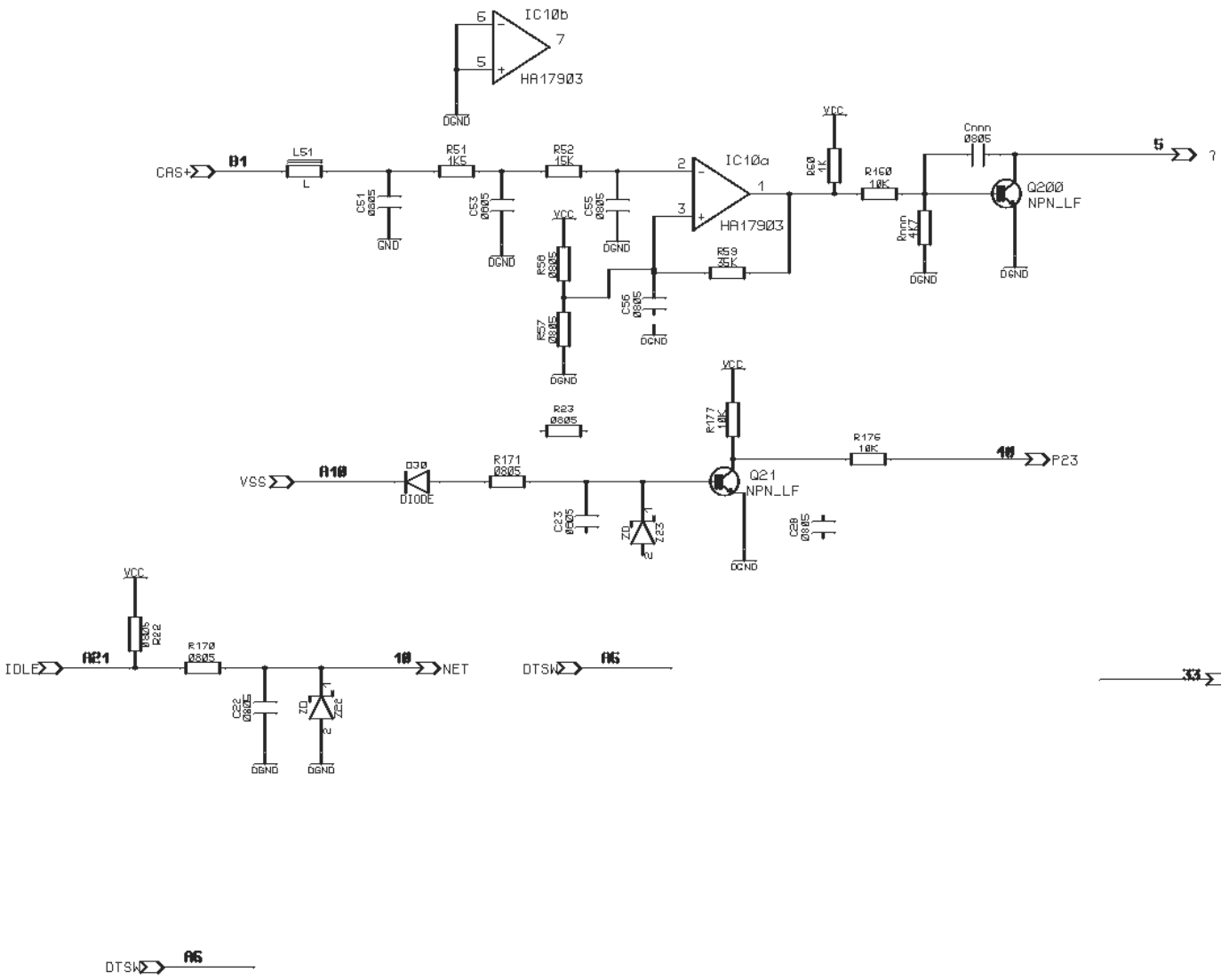


Suzuki Vitara Performance ECU		Version
Top Level Schematic		
		Page 1 of 6
Drawn By:	J Holland	
Date:	13th April 2005	



Suzuki Swift GTI 1.2 ECU		Version
Interface PCB		
		Page 1 of 6
Drawn By:	J Holland	
Date:	16th February 2009	



Swift		Version
Digital Input		
		Page 1 of 6
Drawn By:	J Holland	
Date:	17th February 2009	